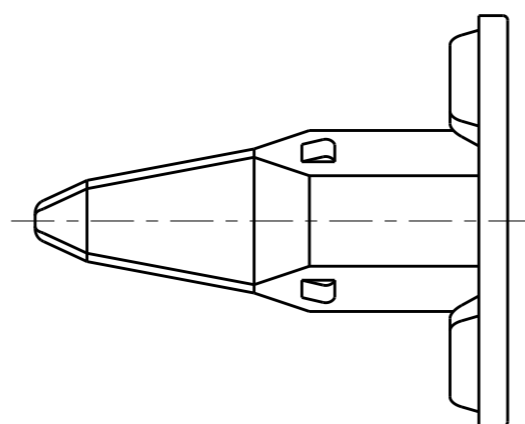
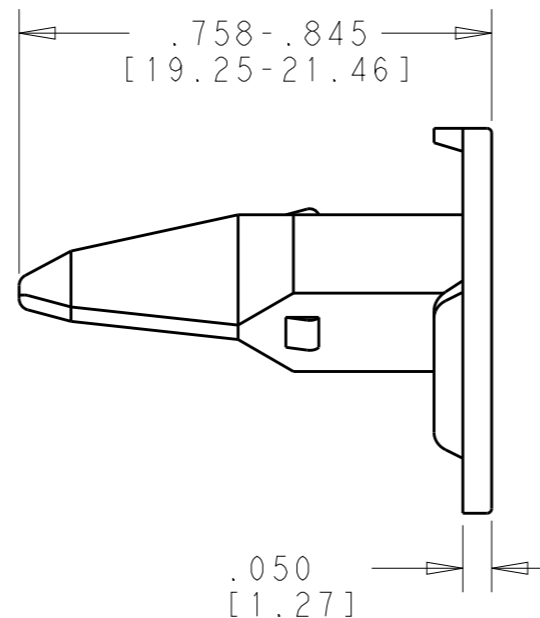
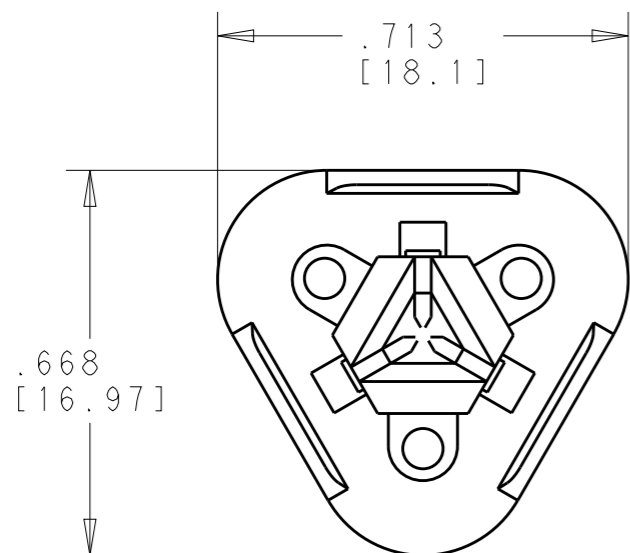


REVISIONS

P	LTR	DESCRIPTION	DATE	DWN	APVD
	C	REVISED PER PCN E-17-001289	16JAN2017	CM	DM



TE INTERNAL PN	DEUTSCH PN
W3S-P012	W3S-P012

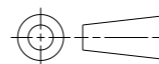
2. MATERIAL: PBT 30% GF (GREEN)

1. THIS WEDGE MAY BE USED WITH DT06-3S-XXXX PLUG (XXXX = ALL MODIFICATIONS). CONSULT FACTORY FOR MODIFICATION AND APPLICATION.

NOTES:

THIS DRAWING IS A CONTROLLED DOCUMENT.

DIMENSIONS: INCHES [mm]



TOLERANCES UNLESS OTHERWISE SPECIFIED:

0 PLC	±
1 PLC	±
2 PLC	±
3 PLC	±.025 [0.64]
4 PLC	±
ANGLES	±0°30'0"

MATERIAL



FINISH

DWN R. OCHOA 14OCT1998

CHK B. BYFORD 01DEC2005

APVD S. BEARD 29NOV2005

PRODUCT SPEC

APPLICATION SPEC

WEIGHT 1.03 g

CUSTOMER DRAWING

NAME WEDGE LOCK FOR 3-PIN PLUG RETENTION TYPE D.T. SERIES

SIZE A3 CAGE CODE 4AFU8 DRAWING NO. W3S-P012 RESTRICTED TO

SCALE 3:1 SHEET 1 OF 1 REV C

